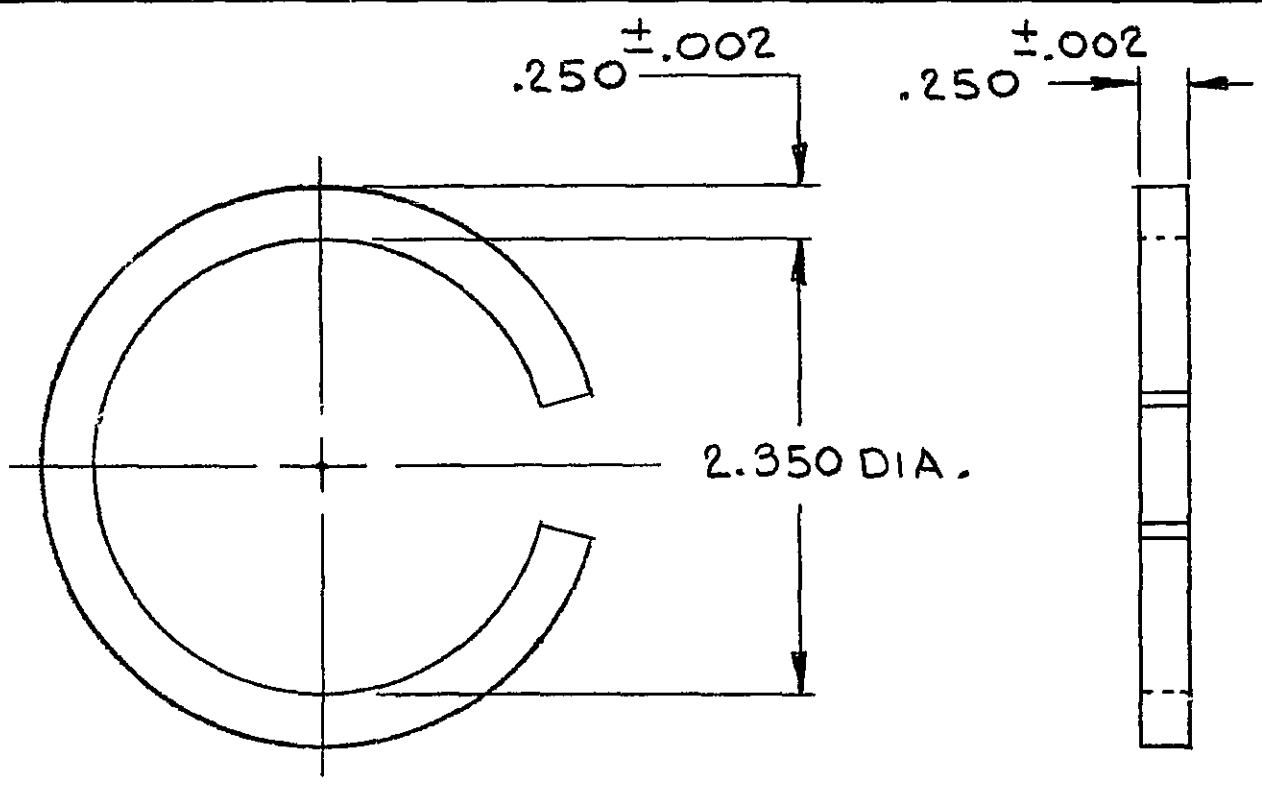


L 16015



*Oil Seal*  
 TAB L-4511  
 5-18-70

MAT'L. S.A.E. 1095 STEEL  
 FINISH: OIL  
 HARDNESS: ROCKWELL "C" 48-53

PURCHASE FROM:  
 RELIANCE DIVISION OF  
 EATON MFG. CO.,  
 THEIR NO. 354

TOLERANCES UNLESS OTHERWISE SPECIFIED  
 ONE PLACE DECIMALS -  $\pm .060$   
 TWO PLACE DECIMALS -  $\pm .030$   
 THREE PLACE DECIMALS -  $\pm .010$   
 ANGULAR DIMENSIONS -  $\pm 2^\circ$

THIS PRINT IS A CONFIDENTIAL DISCLOSURE, THE SUBJECT MATTER OF WHICH IS THE PROPERTY OF THE J. I. CASE COMPANY.

2	W-24		
NO. USED	MODEL	ADOPTED	DISCARDED
PART NAME RING / SNAP-TILT SHAFT			
J. I. CASE CO., RACINE, WISCONSIN			
DRAWN Bm	DATE 1-15-68	TRACED	CHECKED ✓
MATERIAL	APPROVED	DATE	APPROVED R. Cooper 5-18-70
NOTED	EXP. NO.		
DISPLACES	PART NO. L-16015		
REFERENCE NO.			

2768-4	A	RELEASE FOR PRODUCTION	CH	5-13-68
CHANGE NO.	LETTER	CHANGES	BY	DATE